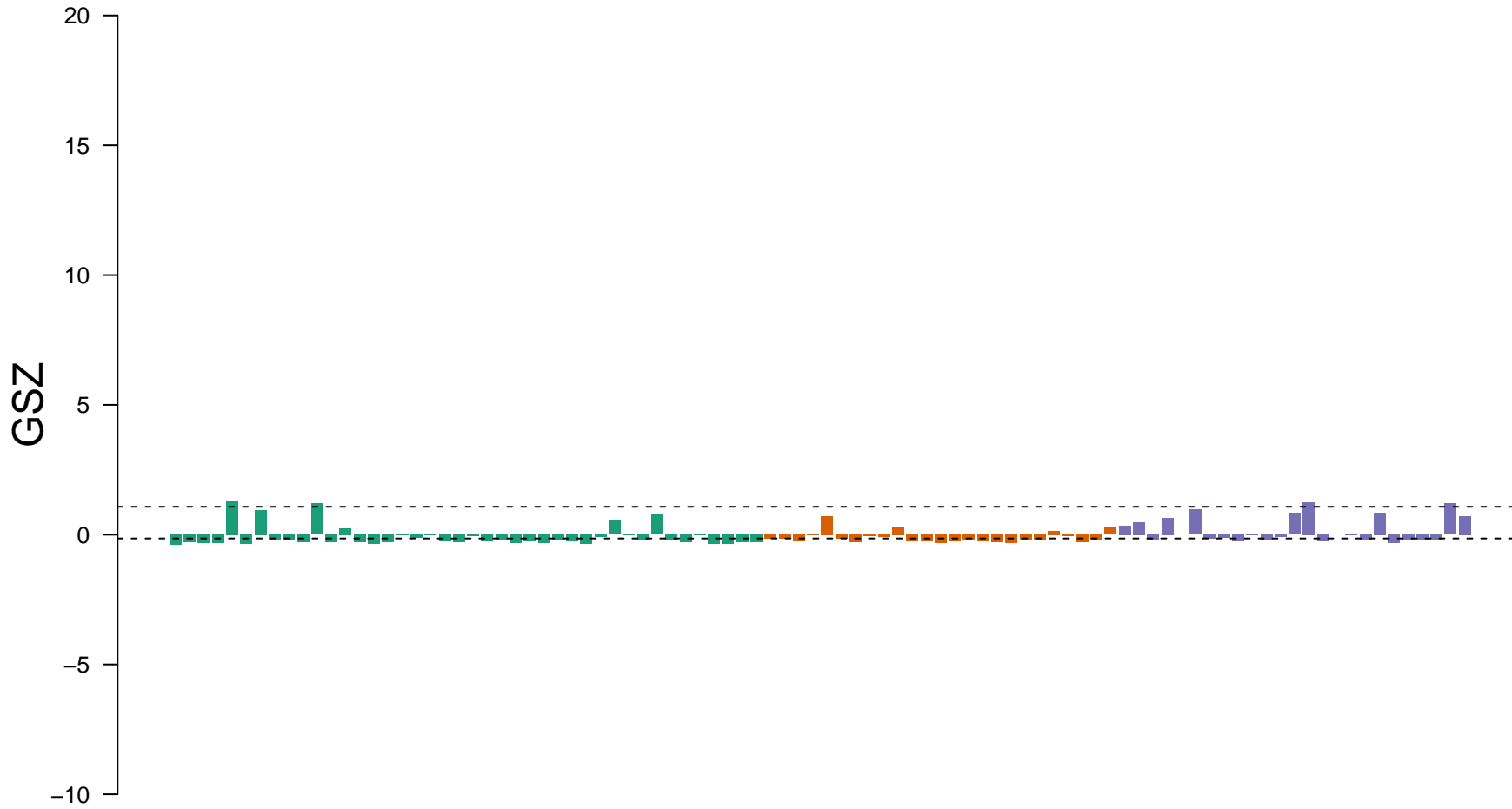
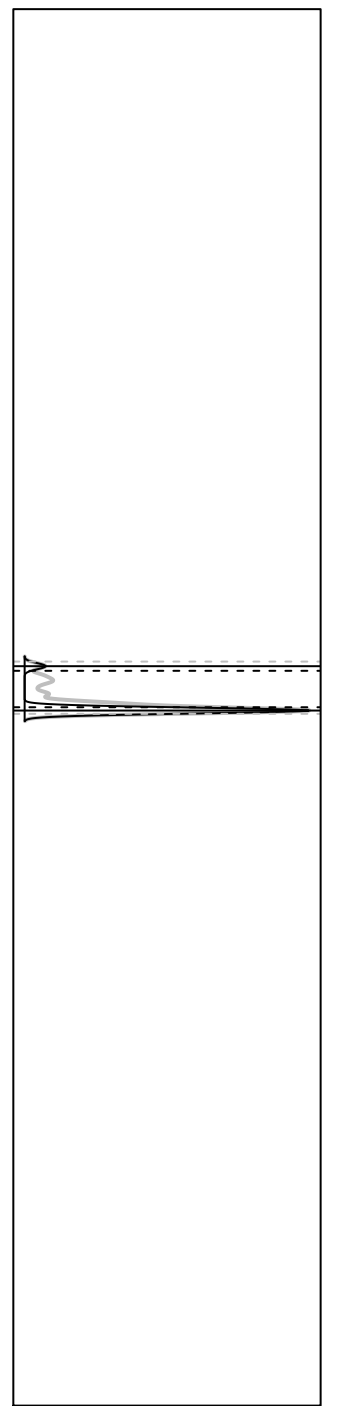


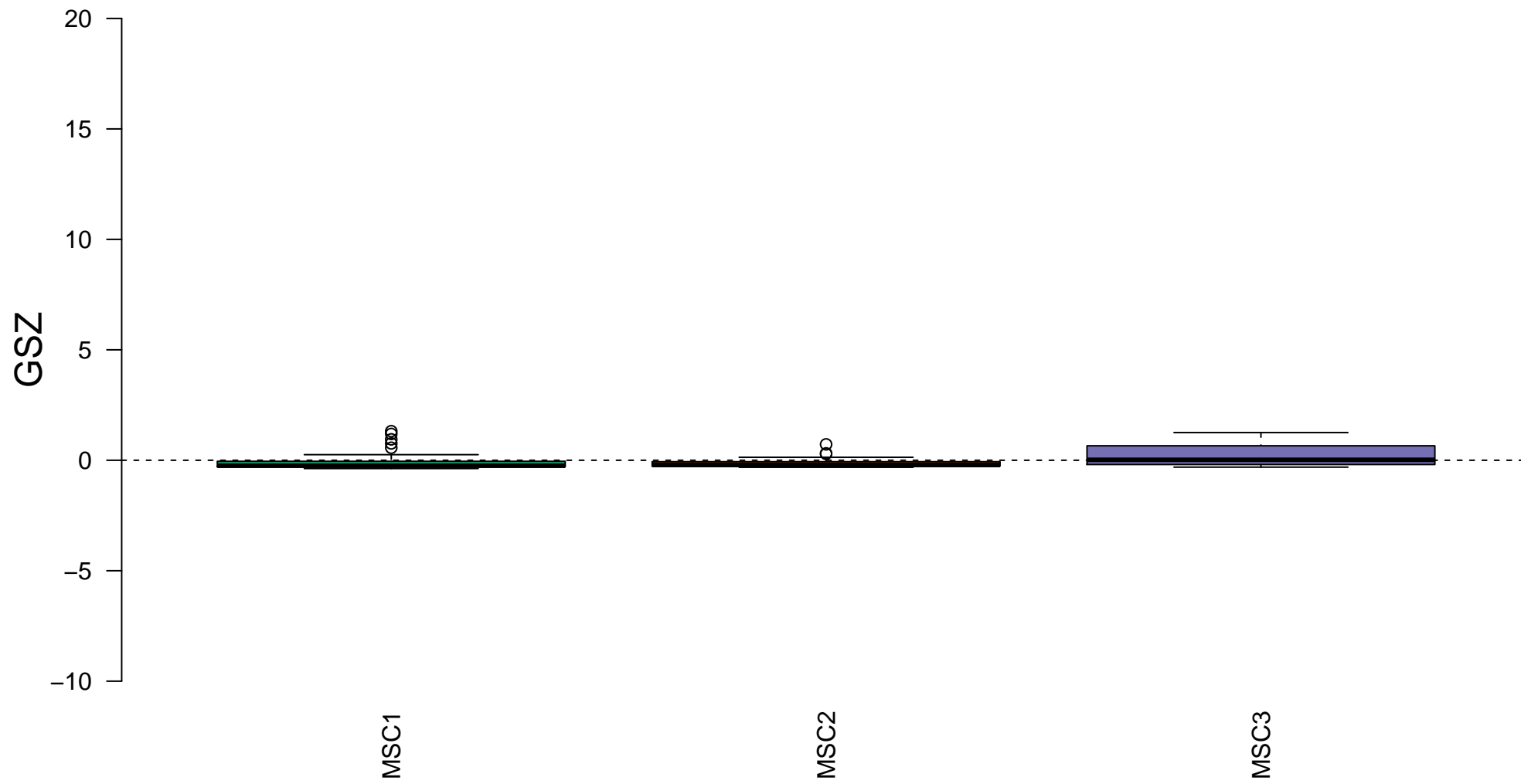
ZHOU_PANCREATIC_BETA_CELL



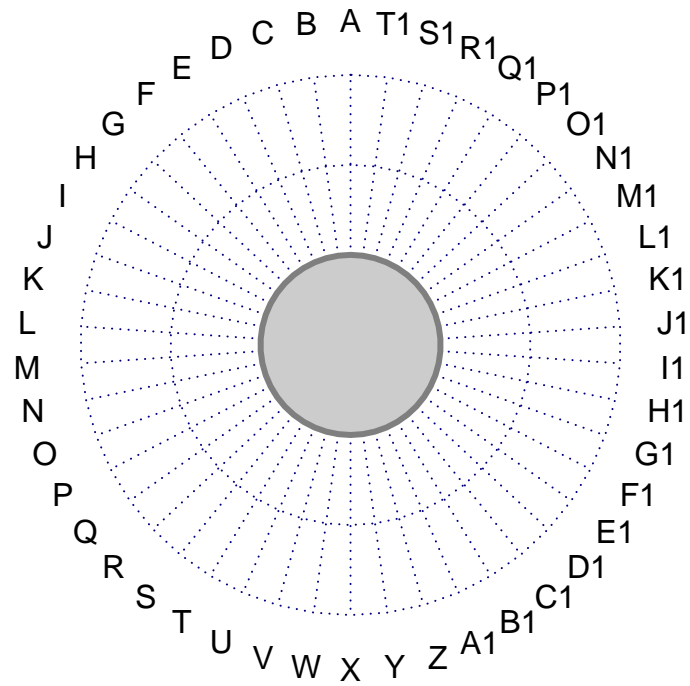
■ on
■ -
□ off



ZHOU_PANCREATIC_BETA_CELL



Enrichment in overexpression spots



Enrichment in kMeans clusters

